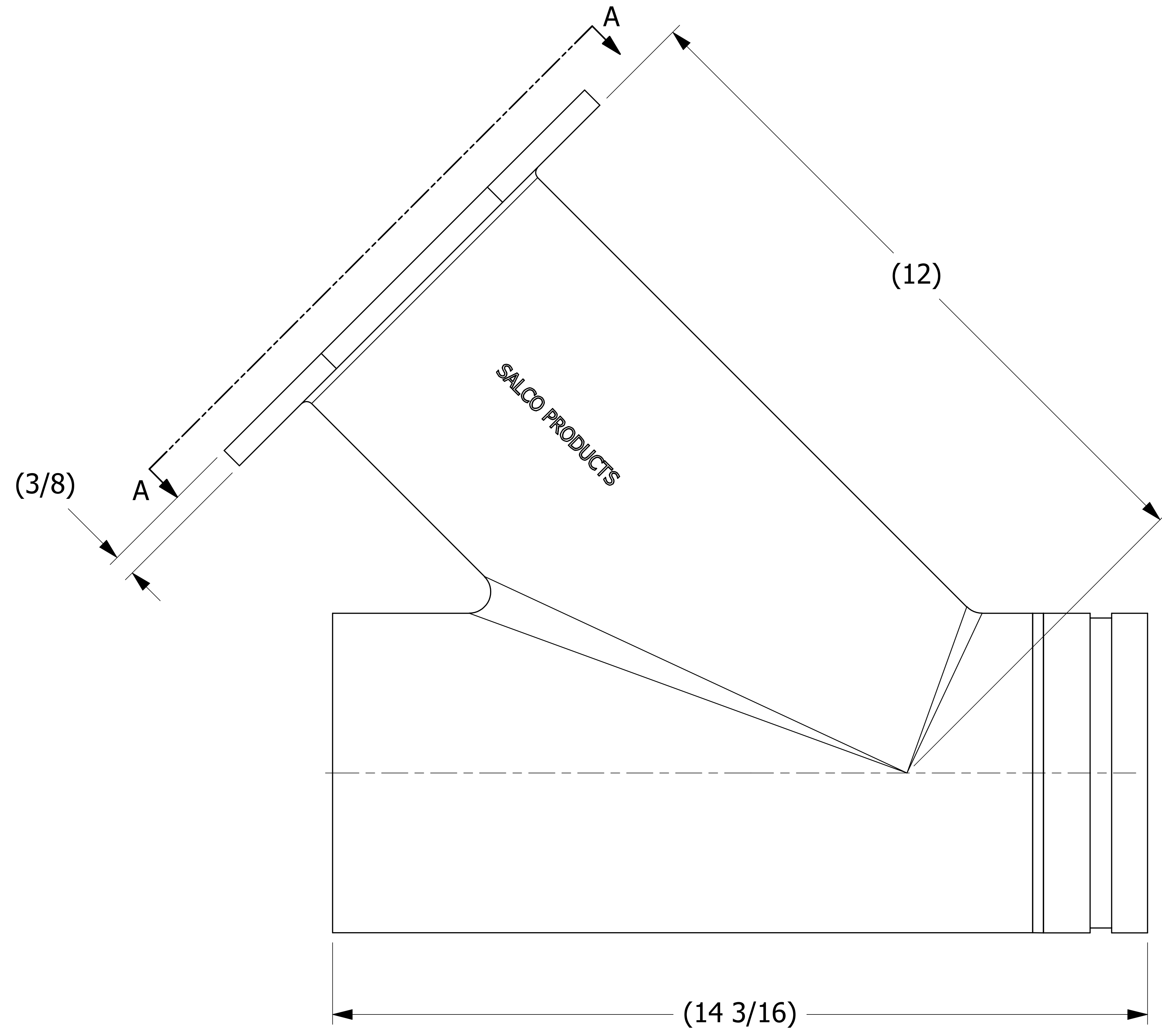
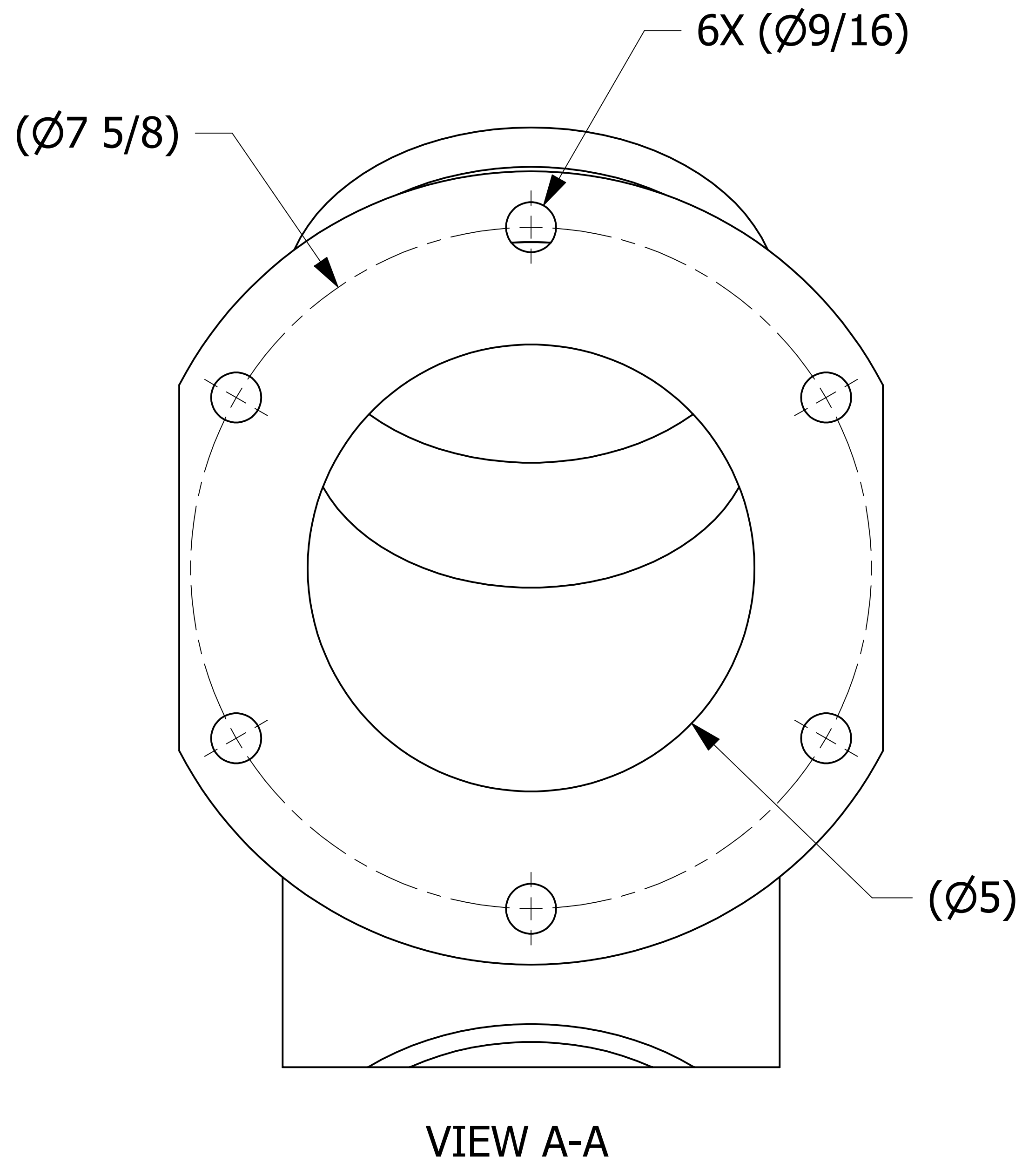


SALES DRAWING SALES DRAWING SALES



SALES DRAWING SALES DRAWING SALES

B	WEB	12-9-15	UPDATED NOTES, UPDATED TO CURRENT CAD STANDARDS
A	ACC	1-15-07	UPDATED NOTES, WAS AN ASSEMBLY
REV	BY	DATE	DESCRIPTION

<small>UNLESS OTHERWISE SPECIFIED DIMENSIONAL TOLERANCES FRACTIONAL: ±1/16 X.XX: ±.03 X.XXX: ±.015 ANGULAR: ±1° DEBURR ALL SHARP EDGES. ALL MACHINED SURFACES TO HAVE A 125 RMS FINISH UNLESS NOTED OTHERWISE. THIRD ANGLE PROJECTION</small>	DRAWN BY:	CHL
	CHECKED BY:	ACC
	PROTOTYPE BY:	CHL
	PROTOTYPE DATE:	8/4/2006
	APPROVED FOR PRODUCTION BY:	
	PRODUCTION DATE:	

SALCO PRODUCTS, INC.		
PART NAME: DISCHARGE LATERAL 5"		
MATERIAL: A356-T6 CAST ALUMINUM		
PROJECT #:	050706	SHEET #:
		1 OF 1
DRAWING #:	E22231	SCALE:
		1:1
PART #:	PD5ADL02	

THIS PRINT, PROPERTY OF SALCO PRODUCTS INC. CONTAINS PROPRIETARY INFORMATION AND MUST NOT BE COPIED, REPRODUCED, OR USED DETRIMENTALLY TO OUR INTEREST.